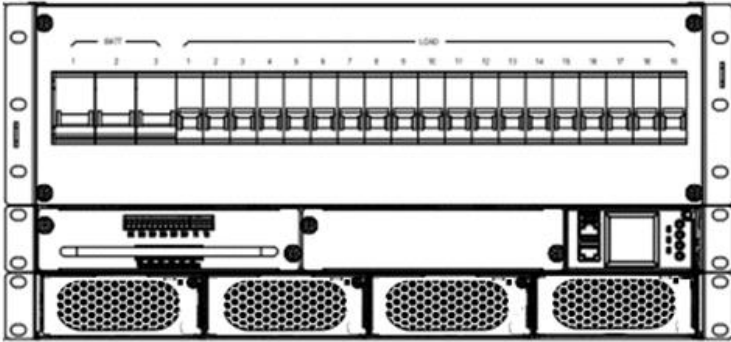


EMBEDDED POWER SYSTEM SNT-ES4816K-G1H5



OVERVIEW

Embedded Power System designed for providing 48VDC power supply for telecom equipment.

It features 97% high-efficiency rectifiers and offers high-power density.

19" mounting option allows installation flexibility and suitable for telecom application.

KEY FEATURES

- High-power density
- 97% efficiency rectifiers
- Standard & compact structure
- Modular design
- ECO mode
- Intelligent battery control

POWER DISTRIBUTION

- Built-in PDU
- LVLD
- LVBD
- Current monitoring for each branch
- Battery and load fuse monitoring

APPLICATIONS

- Transmission network
- Broadband
- Wireless coverage
- Energy storage
- UPS
- HVDC transmission lines

MONITORING & REPORTING

- HTTP, RS485, SNMP support
- 6DI (general purpose)
- 8DO (NC or NO, programmable)
- LED indicator & buzzer
- Supported sensors: ambient temp, battery temp, humidity, door sensor, smoke detector, flood sensor

Sunelt Science & Technology Co. Ltd.
Email: info@sunelt.com

sunelt.com

PSU CONTROLLER

SNT-ES4816K-G1H5

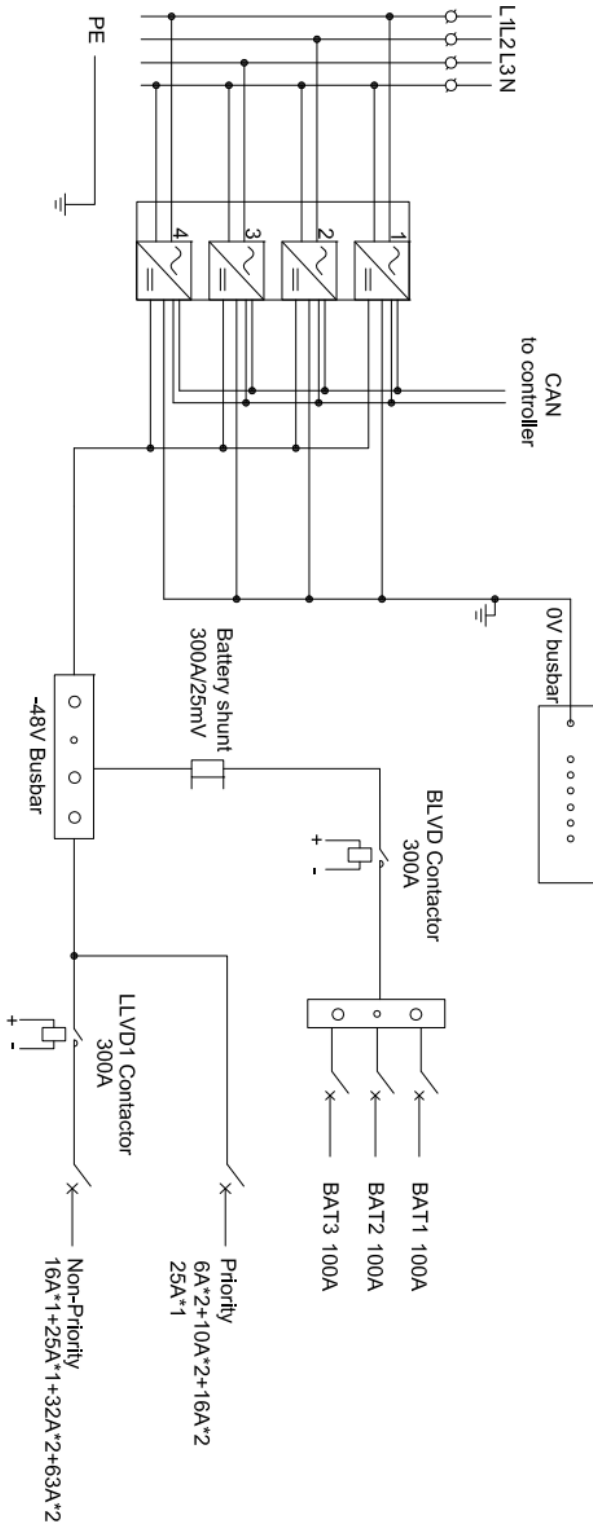


PARAMETERS		DESCRIPTION
Model	Model code	SNT-ES4816K-G1H5
	Rectifier model	SNRC48/4000G1
Rectifier	Rated power	4000W
	Rated output voltage	53.5VDC/57VDC
	Efficiency	Up to 97%
	Power factor	≥0.97
	Dimensions (HxWxD)	40.8mm x 105mm x 269mm
	Weight	<2.2kg
	Controller	Controller model
Communication		RS485/Ethernet
Alarms		6DI / 8DO
System	Capacity	16kW
	Dimensions (HxWxD)	222mm(5U) × 482mm × 335mm
AC Input	Rated voltage	400VAC, 3-phase/3W+N+PE
	Voltage range	304VAC ~ 500VAC
	Frequency (range)	50Hz/60Hz (45Hz ~ 66Hz)
	Current	<21A/phase
	AC SPD	-
	DC distribution	BLVD
LVLVD		300A
Battery fuses		3x 100A
Priority load		2x 6A, 2x 10A, 2x 16A, 1x 25A
Non-priority load		1x 16A, 1x 25A, 2x 32A, 2x 63A
Battery shunt		300A/25mV
DC SPD		-
Environmental	Operating temp	-40°C ~ +75°C
	Storage temp	-40°C ~ +75°C
	Humidity	5% ~ 95% (no condensation)
	Altitude	≤5000m (2000m ~ 5000m operating temp drops 1°C per 200m)

Sunelt Science & Technology Co. Ltd.
Email: info@sunelt.com

sunelt.com

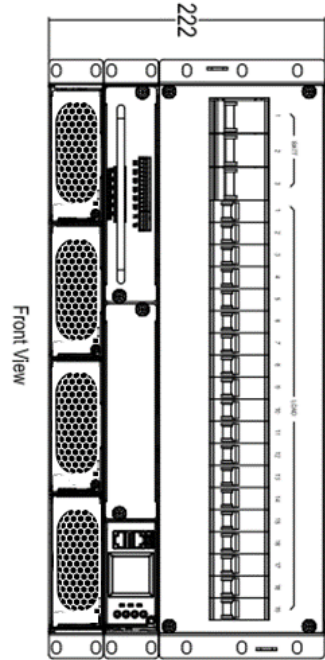
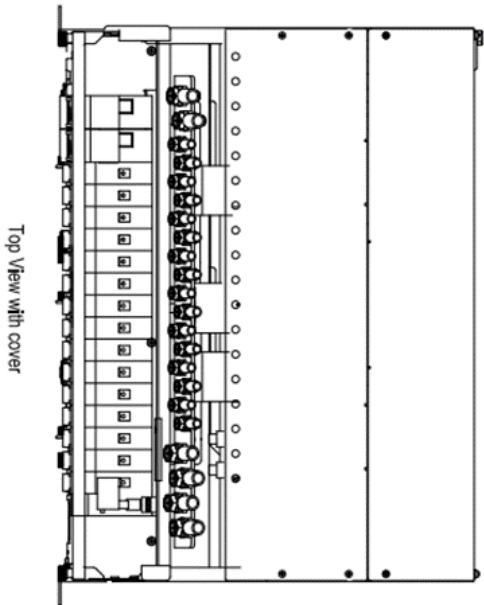
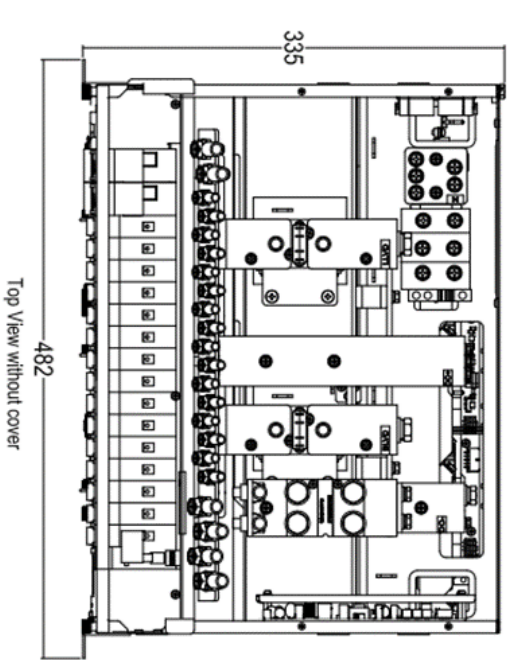
PSU CONTROLLER SNT-ES4816K-G1H5



Sunelt Science & Technology Co. Ltd.
Email: info@sunelt.com

sunelt.com

PSU CONTROLLER SNT-ES4816K-G1H5



Sunelt Science & Technology Co. Ltd.
Email: info@sunelt.com

sunelt.com